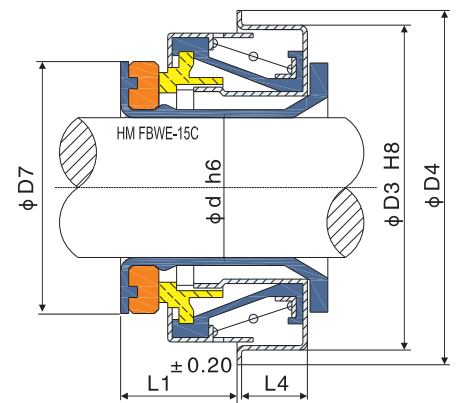
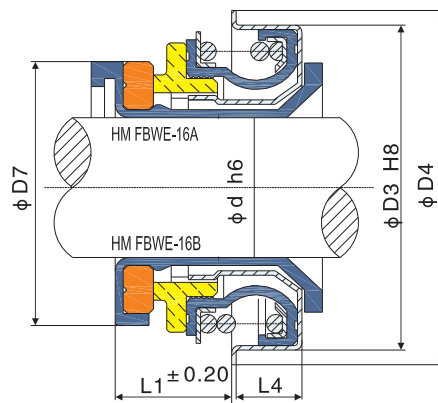


HM-FBWE



技术参数

- ▶ 压力: $\leq 0.6\text{MPa}$
- ▶ 线速度: $\leq 12\text{米/秒}$
- ▶ 温度: $-30^{\circ}\text{C} \sim +200^{\circ}\text{C}$
- ▶ operating Limits
- ▶ Pressure: $\leq 0.6\text{MPa}$
- ▶ Speed: $\leq 12\text{ m/s}$
- ▶ Temperature: $-30^{\circ}\text{C} \sim +200^{\circ}\text{C}$



Model	d	D3	D7	L1	L4
HM FBWE-16A	16	36.5	28.65	7.5	7.5
HM FBWE-16B	16	36.5	31.50	12.0	8.0
HM FBWE-15C	15	36.5	28.50	13.0	7.0
HM FBWE-16D	16	36.5	27.00	14.0	7.5